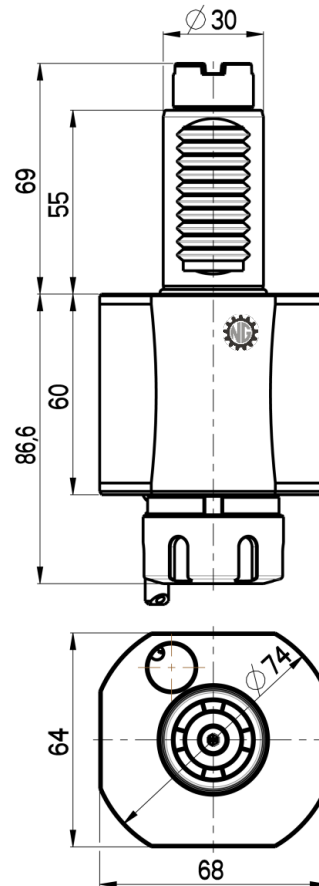
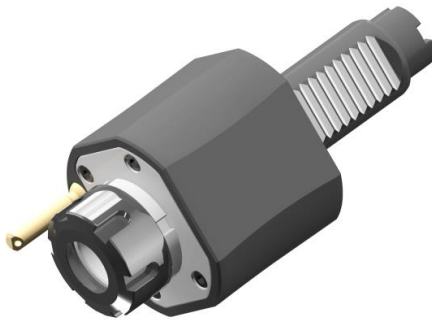




# STRAIGHT LIVE TOOL HOLDER

## VDI 30 / STEPPED

Product code:  
**NGT1-30/151-25/1JA**



**Max. speed:** 6000 rpm

**Max. torque:** 28 Nm

**Collet:** ER25

**Direction of rotation:** 

**Ratio:** 1:1

**Cooling:** external (internal cooling available)

### Accessories

**Nut :** Hook spanner type E 25



**Spindle:** Hook wrench DIN 1810A 40-42

