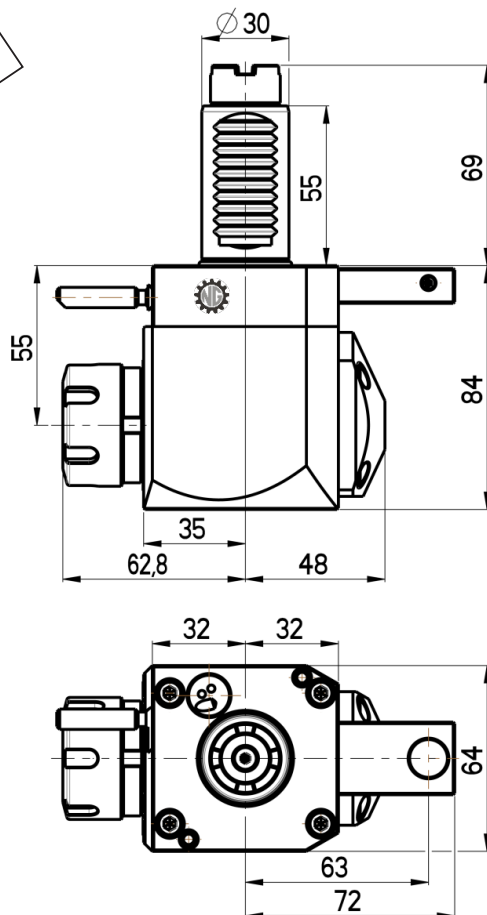
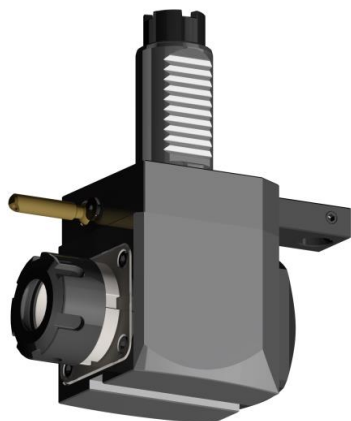




## ANGULAR LIVE TOOL HOLDER

### VDI 30 / STEPPED


Product code:  
**NGT1-30/251-25/1.2-55JB**



**Max. speed:** 6000 rpm

**Max. torque:** 28 Nm

**Collet:** ER25

**Direction of rotation:** 

**Ratio:** 1:1

**Cooling:** external (internal cooling available)

#### Accessories

**Nut:** Hook spanner type E 25



**Spindle:** Hook wrench DIN 1810A 40-42

