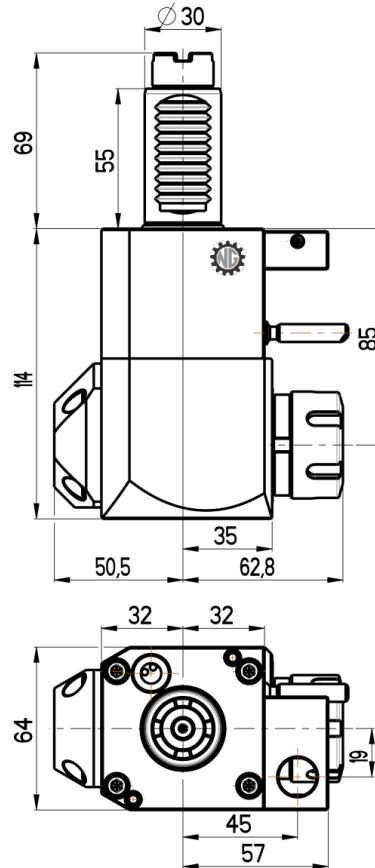




ANGULAR LIVE TOOL HOLDER

VDI 30 / STEPPED


Product code:
NGT1-30/251-25/2.1-85JA



Max. speed: 6000 rpm

Max. torque: 28 Nm

Collet: ER25

Direction of rotation: 

Ratio: 1:1

Cooling: external & internal

Max. pressure: 20 bar

Accessories

Nut : Hook spanner type E 25

Spindle: Hook wrench DIN 1810A 40-42

