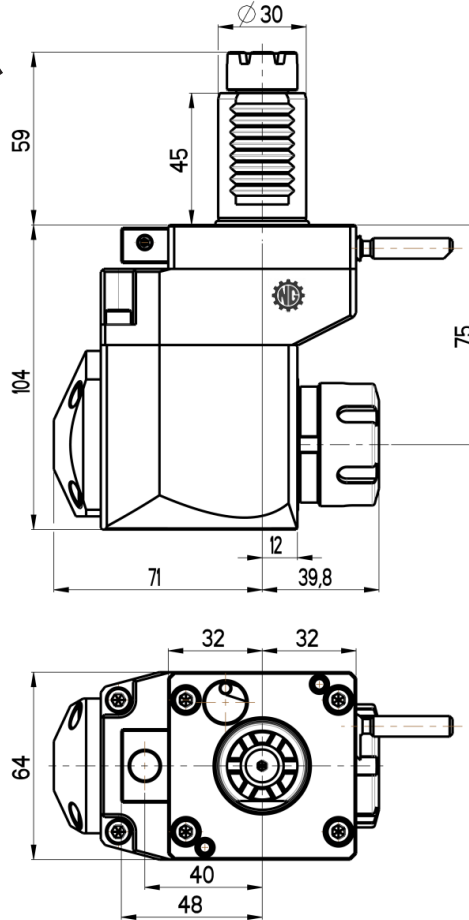
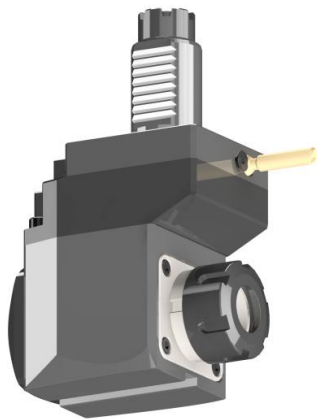


**OFFSET ANGULAR
LIVE TOOL HOLDER**

VDI 30 / TOEM 160

Product code:
NGT1-30/441-25/1.1-75



Max. speed: 6000 rpm

Max. torque: 28 Nm

Collet: ER25

Ratio: 1:1

Cooling: external (internal cooling available)

Accessories

Nut : Hook spanner type E 25

Spindle: Hook wrench DIN 1810A 40-42

