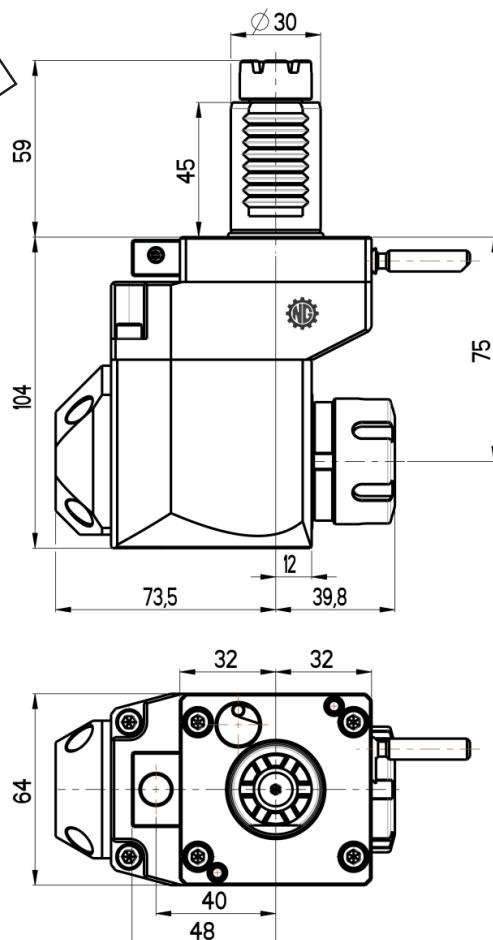
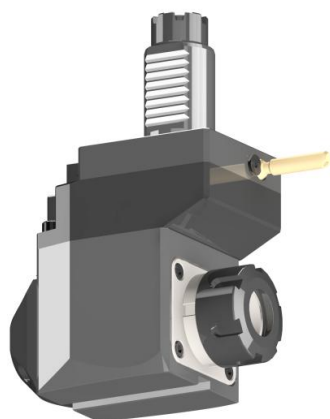


OFFSET ANGULAR LIVE TOOL HOLDER

VDI 30 / TOEM 160

Product code:
NGT1-30/441-25/2.1-75



Max. speed: 6000 rpm

Max. torque: 28 Nm

Collet: ER25

Ratio: 1:1

Cooling: external & internal

Max. pressure: 20 bar

Accessories

Nut: Hook spanner type E 25

Spindle: Hook wrench DIN 1810A 40-42



www.microntooling.com

Subject to change without notice