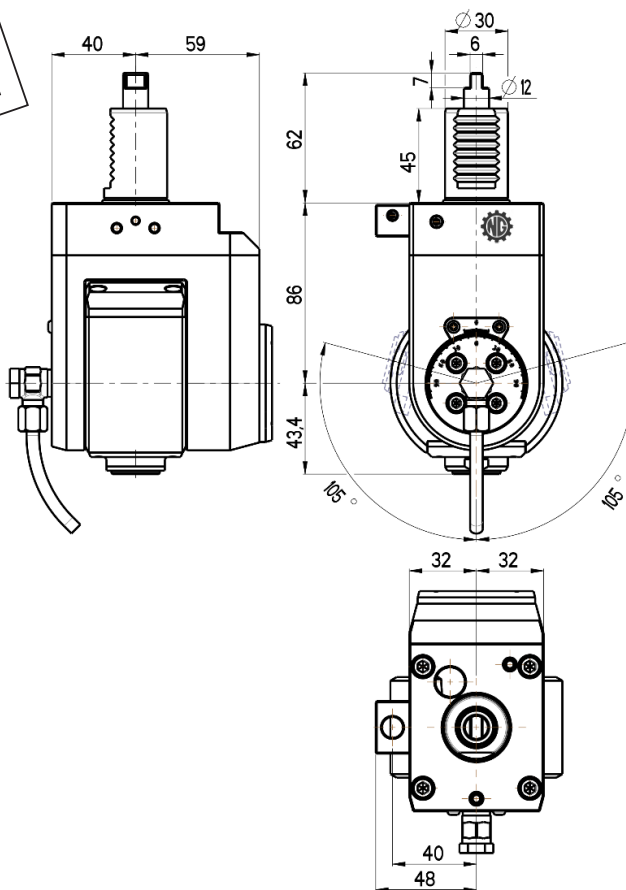
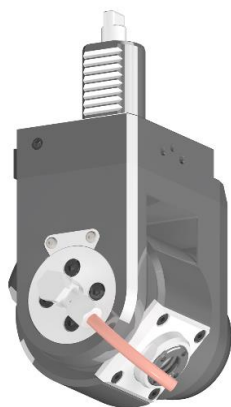


VARIABLE ANGLE LIVE TOOL HOLDER

VDI 30 / DIN 1809

Product code:
NGT1-30/521-16/2



Max. speed: 6000 rpm

Max. torque: 16 Nm

Collet: ER16

Ratio: 1:1

Cooling: external & internal

Max. pressure: 20 bar

Accessories

Nut: Caliper pin wrench

Spindle: Spanner 28

www.microntooling.com

Subject to change without notice