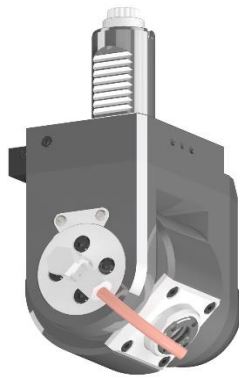
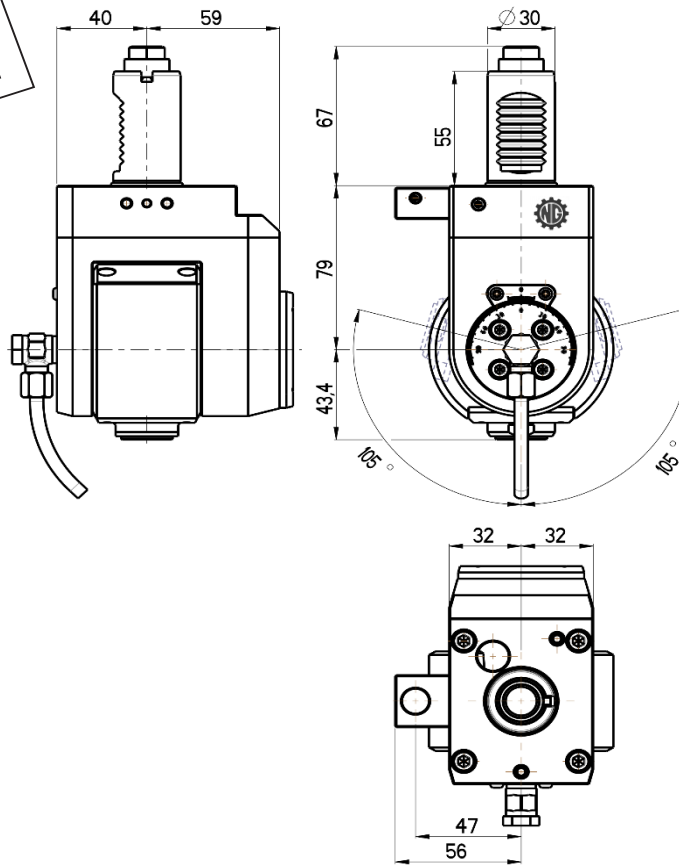


VARIABLE ANGLE LIVE TOOL HOLDER VDI 30 / DIN 5480

Product code:
NGT1-30/531-16/1



Max. speed: 6000 rpm

Max. torque: 16 Nm

Collet: ER16

Ratio: 1:1

Cooling: external (internal cooling available)

Accessories

Nut: Caliper pin wrench

Spindle: Spanner 28

www.microntooling.com

Subject to change without notice