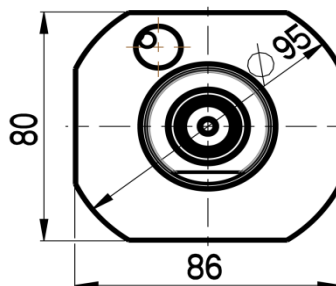
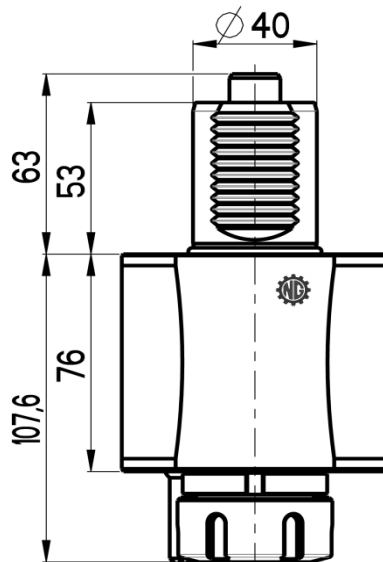


## STRAIGHT LIVE TOOL HOLDER

VDI 40 / DIN 5482

Product code:  
**NGT1-40/111-32/1**



**Max. speed:** 6000 rpm

**Max. torque:** 50 Nm

**Collet:** ER32

**Ratio:** 1:1

**Cooling:** external (internal cooling available)

### Accessories

**Nut:** Hook spanner type E 32

**Spindle:** Hook wrench DIN 1810A 45-50



[www.microntooling.com](http://www.microntooling.com)

Subject to change without notice