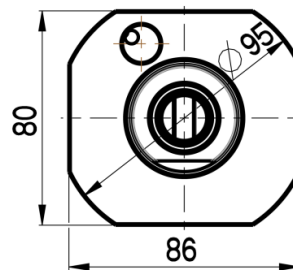
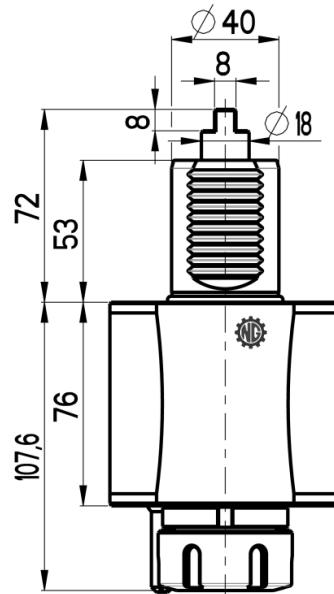


STRAIGHT LIVE TOOL HOLDER

VDI 40 / DIN 1809

Product code:
NGT1-40/121-32/1



Max. speed: 6000 rpm

Max. torque: 50 Nm

Collet: ER32

Ratio: 1:1

Cooling: external (internal cooling available)

Accessories

Nut : Hook spanner type E 32



Spindle: Hook wrench DIN 1810A 45-50



www.microntooling.com

Subject to change without notice