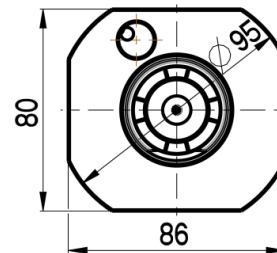
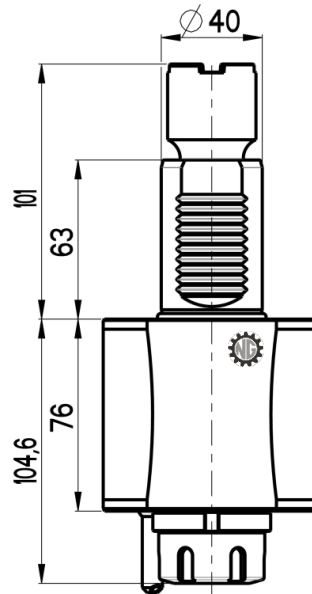
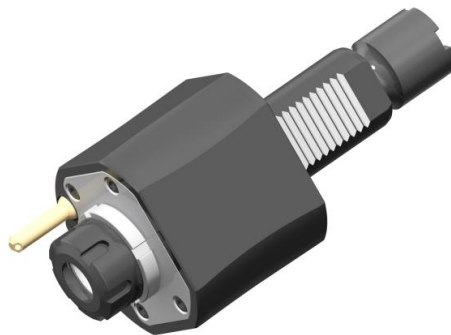




STRAIGHT LIVE TOOL HOLDER

VDI 40 / STEPPED

Product code:
NGT1-40/151-25/1JB



Max. speed: 6000 rpm

Max. torque: 50 Nm

Collet: ER25

Direction of rotation: 

Ratio: 1:1

Cooling: external (internal cooling available)

Accessories

Nut: Hook spanner type E 25



Spindle: Hook wrench DIN 1810A 45-50

