

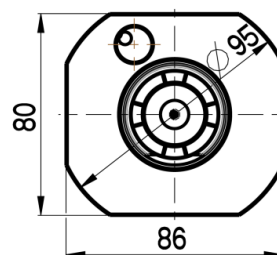
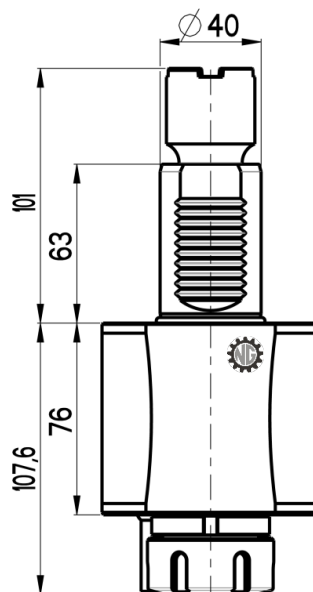


## STRAIGHT LIVE TOOL HOLDER

VDI 40 / STEPPED

Product code:

**NGT1-40/151-32/1JB**



**Max. speed:** 6000 rpm

**Max. torque:** 50 Nm

**Collet:** ER32

**Direction of rotation:** 

**Ratio:** 1:1

**Cooling:** external (internal cooling available)

### Accessories

**Nut:** Hook spanner type E 32



**Spindle:** Hook wrench DIN 1810A 45-50



[www.microntooling.com](http://www.microntooling.com)

Subject to change without notice