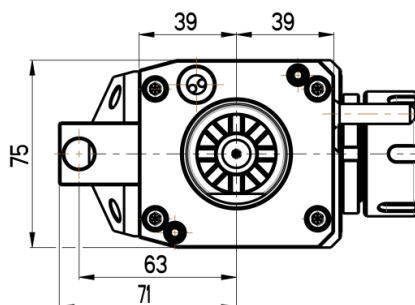
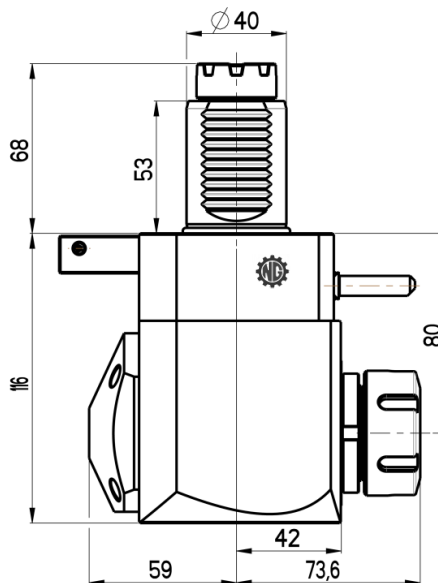
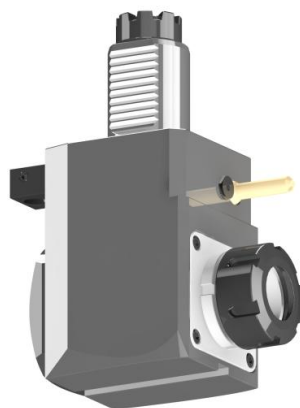


## ANGULAR LIVE TOOL HOLDER

VDI 40 / TOEM 200

Product code:  
NGT1-40/241-32/1.1-80



**Max. speed:** 6000 rpm

**Max. torque:** 50 Nm

**Collet:** ER32

**Ratio:** 1:1 (reverse direction)

**Cooling:** external (internal cooling available)

### Accessories

**Nut:** Hook spanner type E 32

**Spindle:** Hook wrench DIN 1810A 45-50

