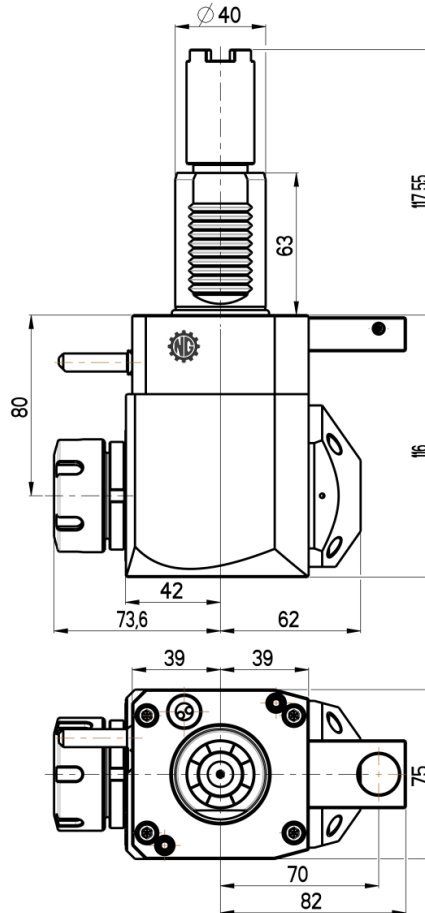


# ANGULAR LIVE TOOL HOLDER

## VDI 40 / STEPPED

Product code:  
**NGT1-40/251-32/2.2-80B**



**Max. speed:** 6000 rpm

**Max. torque:** 50 Nm

**Collet:** ER32

**Ratio:** 1:1 (reverse direction)

**Cooling:** external & internal

**Max. pressure:** 20 bar

**Accessories**

**Nut:** Hook spanner type E 32

**Spindle:** Hook wrench DIN 1810A 45-50

