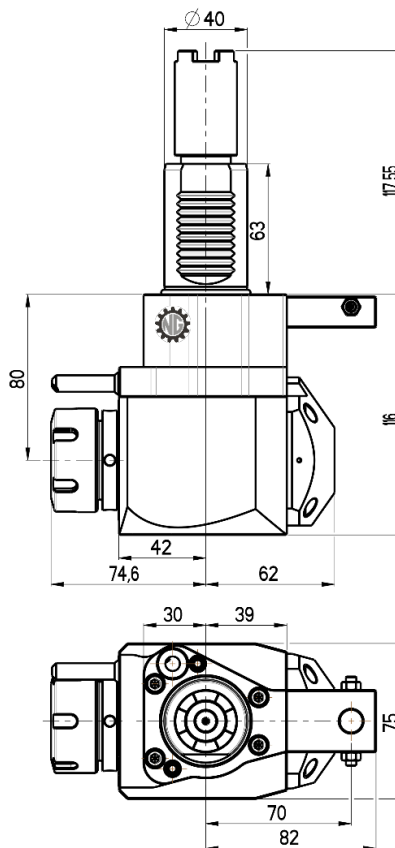




ANGULAR LIVE TOOL HOLDER

VDI 40 / HAAS

Product code:
NGT1-40/251-32/2.2-80BH



Max. speed: 6000 rpm

Max. torque: 50 Nm

Collet: ER32

Direction of rotation: 

Ratio: 1:1

Cooling: external & internal

Max. pressure: 20 bar

Accessories

Nut : Clamping wrench type E 32



Spindle: Hook wrench DIN 1810B 45-50



www.microntooling.com

Subject to change without notice