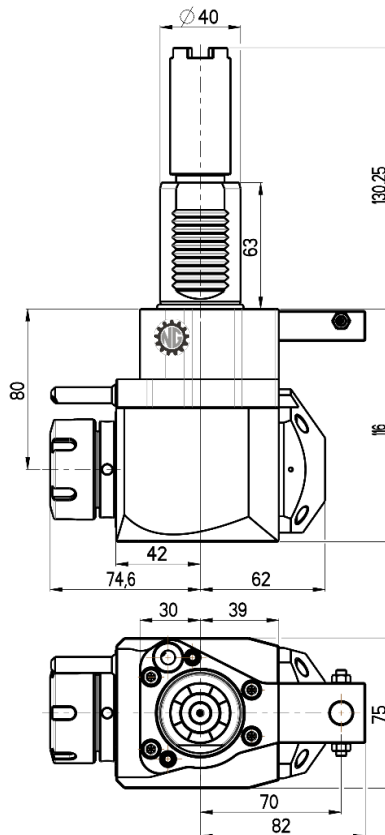




## ANGULAR LIVE TOOL HOLDER

### VDI 40 / HAAS

Product code:  
**NGT1-40/251-32/2.2-80CH**



**Max. speed:** 6000 rpm

**Max. torque:** 50 Nm

**Collet:** ER32

**Direction of rotation:** 

**Ratio:** 1:1

**Cooling:** external & internal

**Max. pressure:** 20 bar

#### Accessories

**Nut :** Clamping wrench type E 32



**Spindle:** Hook wrench DIN 1810B 45-50

