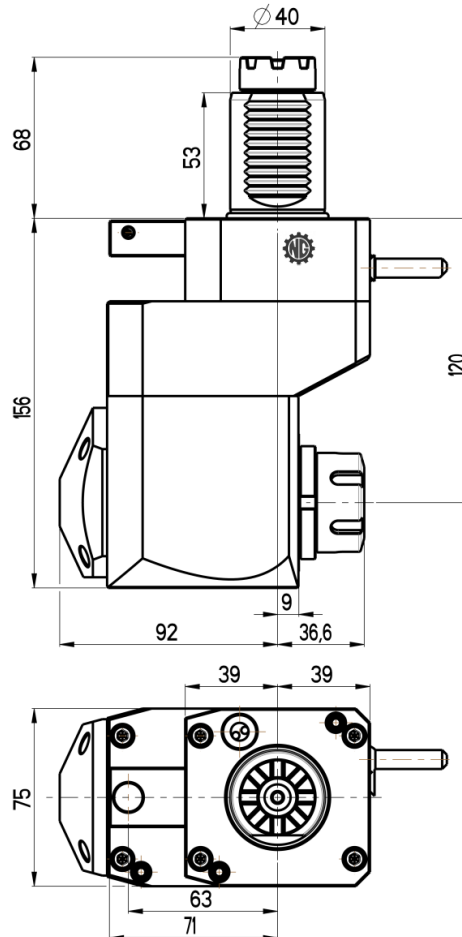
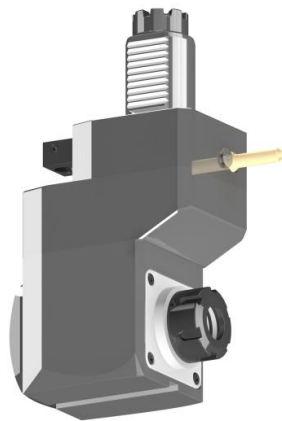


OFFSET ANGULAR LIVE TOOL HOLDER

VDI 40 / TOEM 200

Product code:
NGT1-40/441-25/1.1-120



Max. speed: 6000 rpm

Max. torque: 50 Nm

Collet: ER25

Ratio: 1:1

Cooling: external (internal cooling available)

Accessories

Nut : Hook spanner type E 25

Spindle: Hook wrench DIN 1810A 45-50

