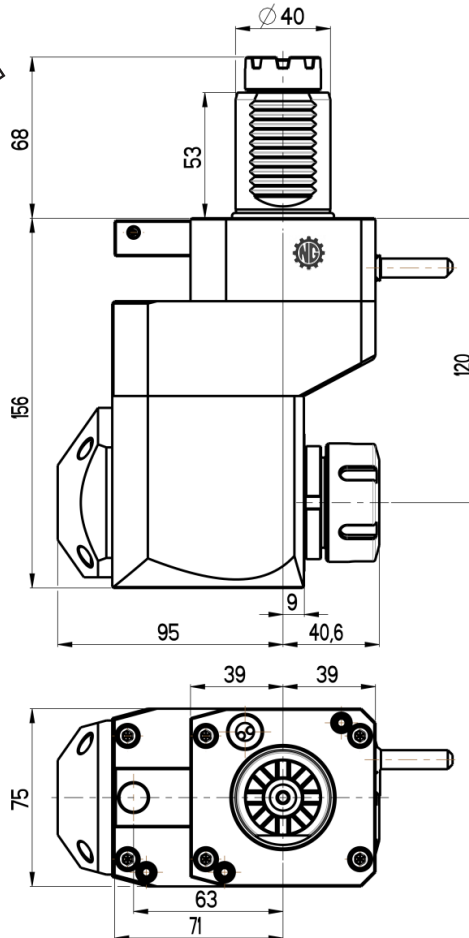
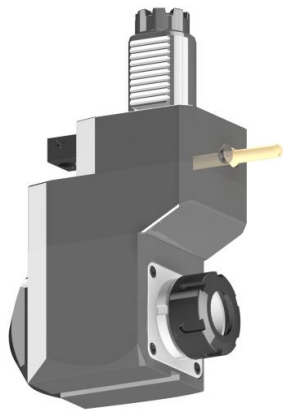


**OFFSET ANGULAR  
LIVE TOOL HOLDER**

**VDI 40 / TOEM 200**

Product code:  
**NGT1-40/441-32/2.1-120**



**Max. speed:** 6000 rpm

**Max. torque:** 50 Nm

**Collet:** ER32

**Ratio:** 1:1

**Cooling:** external & internal

**Max. pressure:** 20 bar

**Accessories**

**Nut:** Hook spanner type E 32

**Spindle:** Hook wrench DIN 1810A 45-50

