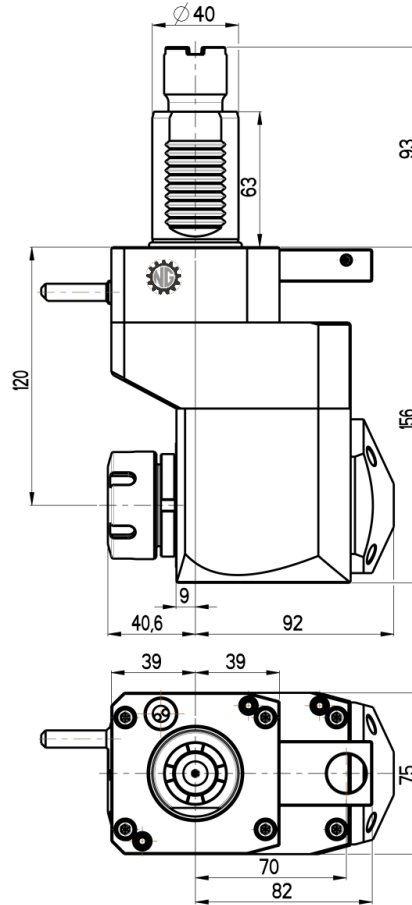
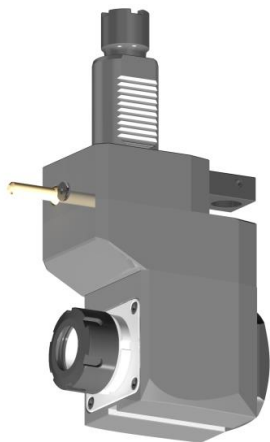




**OFFSET ANGULAR  
LIVE TOOL HOLDER**

**VDI 40 / STEPPED**

Product code:  
**NGT1-40/451-32/1.2-120JA**



**Max. speed: 6000 rpm**

**Max. torque: 50 Nm**

**Collet: ER32**

**Direction of rotation:** 

**Ratio: 1:1**

**Cooling: external (internal cooling available)**

**Accessories**

**Nut :** Hook spanner type E 32



**Spindle:** Hook wrench DIN 1810A 45-50

