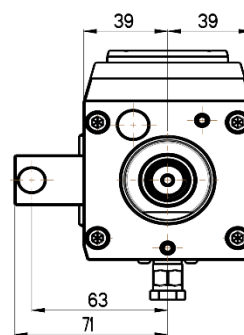
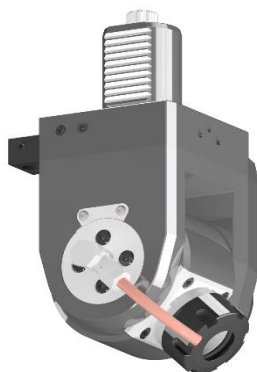
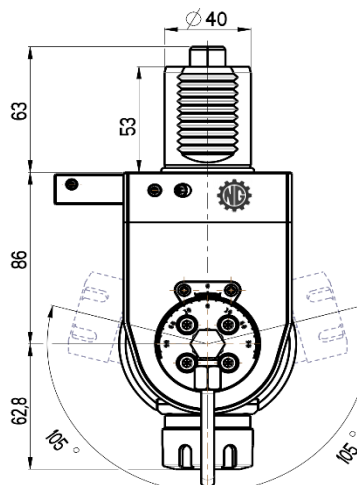
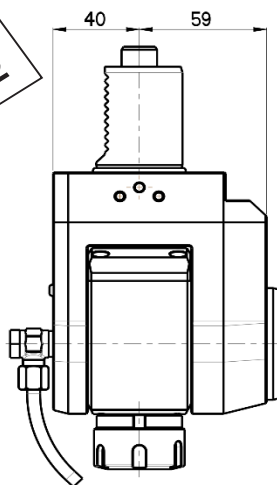




VARIABLE ANGLE LIVE TOOL HOLDER VDI 40 / DIN 5482

Product code:
NGT1-40/511-25/2



Max. speed: 6000 rpm

Max. torque: 16 Nm

Collet: ER25

Ratio: 1:1

Cooling: external & internal

Max. pressure: 20 bar

Accessories

Nut : Hook spanner type E 25

Spindle: Hook wrench DIN 1810A 42-45



www.microntooling.com

Subject to change without notice