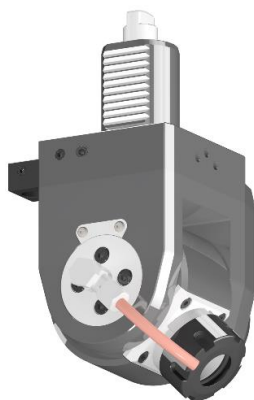
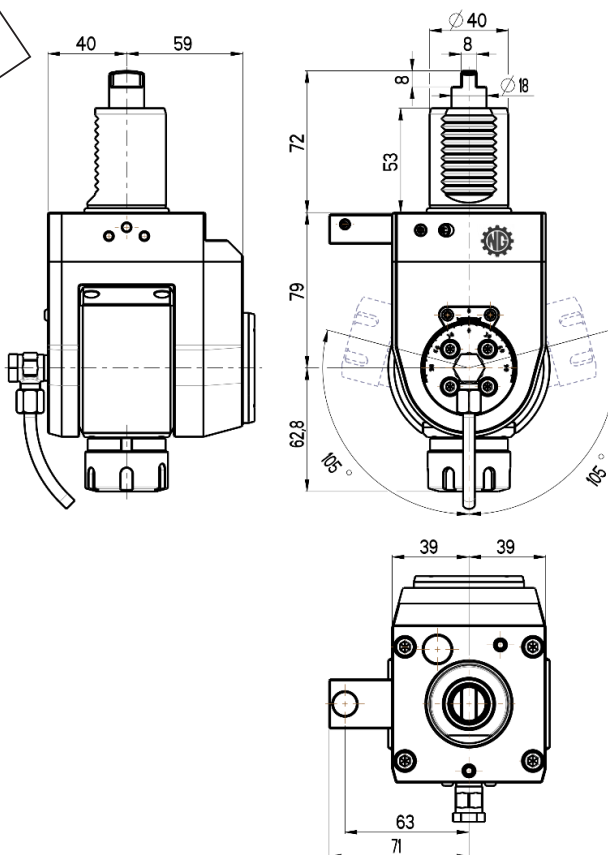


VARIABLE ANGLE LIVE TOOL HOLDER VDI 40 / DIN 1809

Product code:
NGT1-40/521-25/1



Max. speed: 6000 rpm

Max. torque: 16 Nm

Collet: ER25

Ratio: 1:1

Cooling: external (internal cooling available)

Accessories

Nut : Hook spanner type E 25

Spindle: Hook wrench DIN 1810A 40-42

