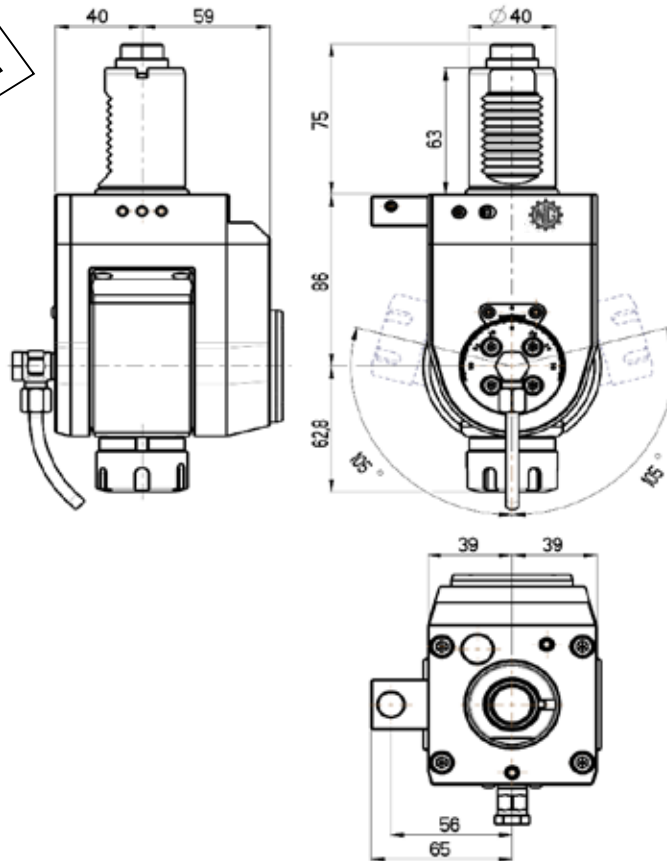




## VARIABLE ANGLE LIVE TOOL HOLDER VDI 40 / DIN 5480

Product code:  
**NGT1-40/531-25/2**



**Max. speed:** 6000 rpm

**Max. torque:** 16 Nm

**Collet:** ER25

**Ratio:** 1:1

**Cooling:** external & internal

**Max. pressure:** 20 bar

### Accessories

**Nut :** Hook spanner type E 25

**Spindle:** Hook wrench DIN 1810A 42-45



[www.microntooling.com](http://www.microntooling.com)

Subject to change without notice