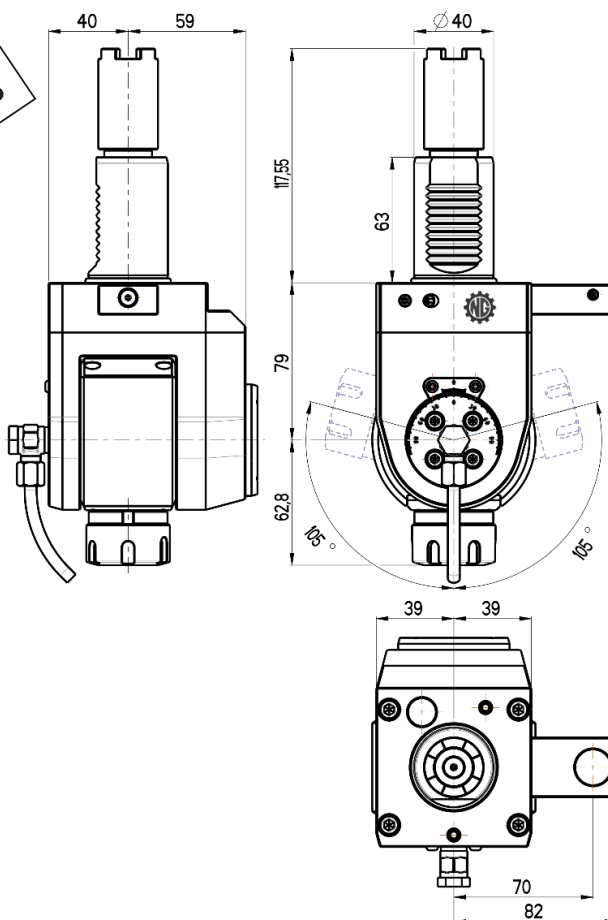
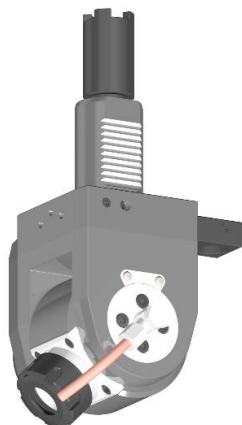


VARIABLE ANGLE LIVE TOOL HOLDER VDI 40 / STEPPED

Product code:
NGT1-40/551-25/1B



Max. speed: 6000 rpm

Max. torque: 16 Nm

Collet: ER25

Ratio: 1:1

Cooling: external (internal cooling available)

Accessories

Nut : Hook spanner type E 25



Spindle: Hook wrench DIN 1810A 40-42

www.microntooling.com

Subject to change without notice