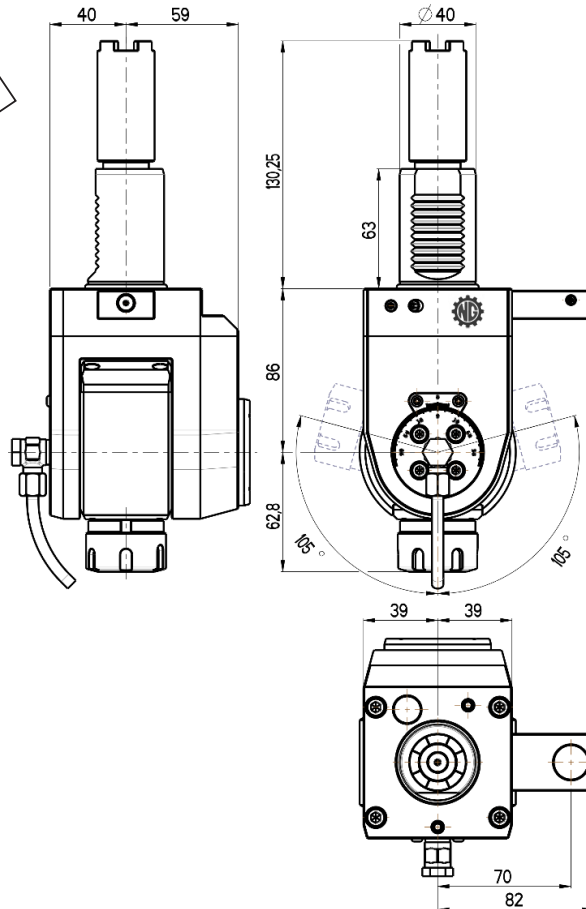
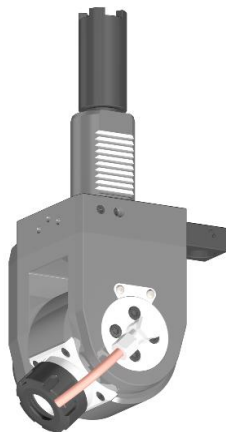


**VARIABLE ANGLE  
 LIVE TOOL HOLDER  
 VDI 40 / STEPPED**

Product code:  
**NGT1-40/551-25/2C**



**Max. speed: 6000 rpm**

**Max. torque: 16 Nm**

**Collet: ER25**

**Ratio: 1:1**

**Cooling: external & internal**

**Max. pressure: 20 bar**

**Accessories**

**Nut :** Hook spanner type E 25



**Spindle:** Hook wrench DIN 1810A 42-45

