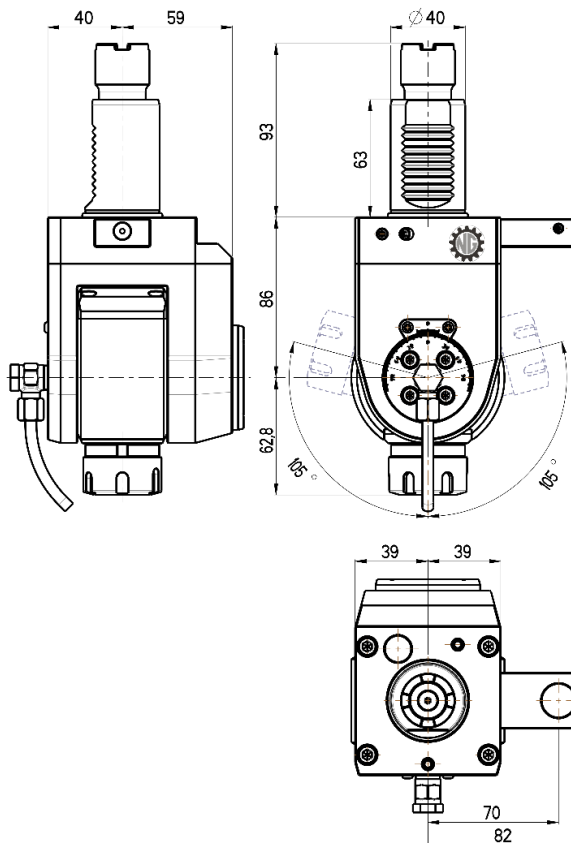




## VARIABLE ANGLE LIVE TOOL HOLDER VDI 40 / STEPPED

Product code:  
**NGT1-40/551-25/2JA**



**Max. speed:** 6000 rpm

**Max. torque:** 16 Nm

**Collet:** ER25

**Direction of rotation:** 

**Ratio:** 1:1

**Cooling:** external & internal

**Max. pressure:** 20 bar

### Accessories

**Nut :** Hook spanner type E 25

**Spindle:** Hook wrench DIN 1810A 40-42

