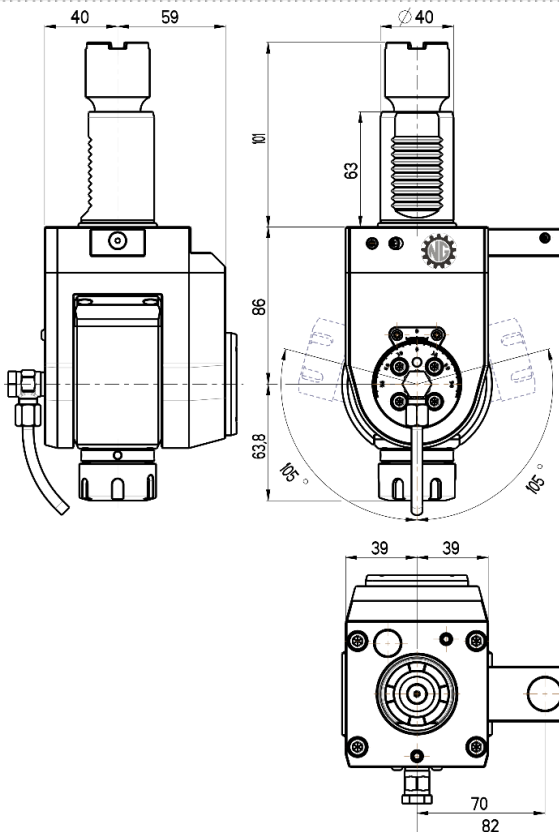
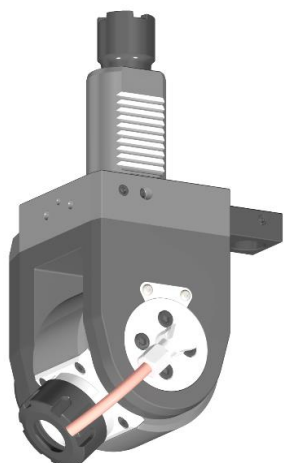




VARIABLE ANGLE LIVE TOOL HOLDER VDI 40 / STEPPED

Product code:
NGT1-40/551-25/2JB



Max. speed: 6000 rpm

Max. torque: 16 Nm

Collet: ER25

Direction of rotation: 

Ratio: 1:1

Cooling: external & internal

Max. pressure: 20 bar

Accessories

Nut : Hook spanner type E 25

Spindle: Hook wrench DIN 1810B 40-42

