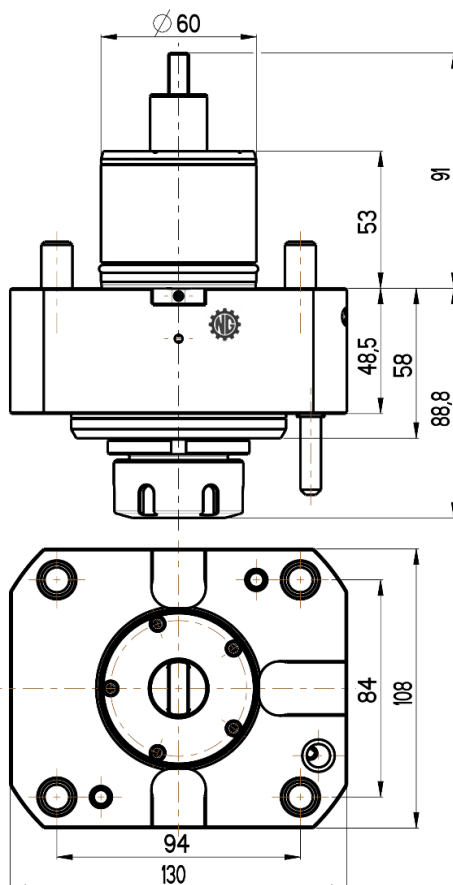


STRAIGHT LIVE TOOL HOLDER

MORI SEIKI TURRET

Product code:
NGT2-60/101-32/1(MS)



Max. speed: 6000 rpm

Max. torque: 70 Nm

Collet: ER32

Ratio: 1:1

Cooling: external (internal cooling available)

Accessories

Nut : Hook spanner type E 32



Spindle: Hook wrench DIN 1810A 52-55



www.microntooling.com

Subject to change without notice