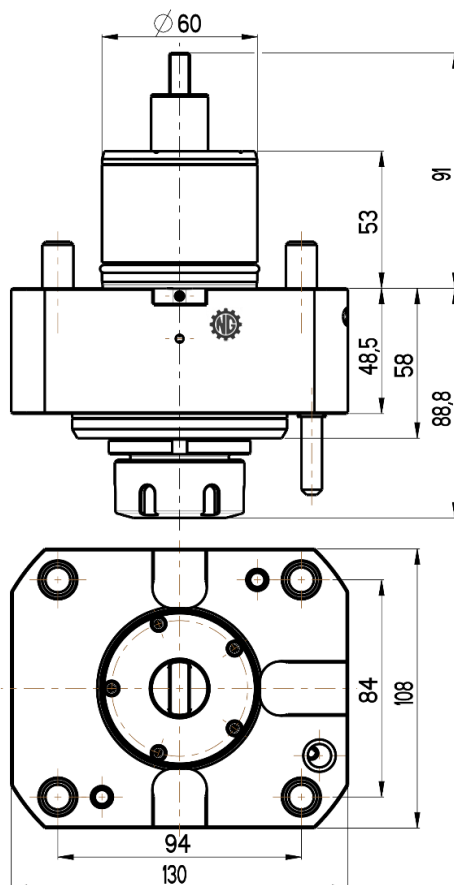


STRAIGHT LIVE TOOL HOLDER

MORI SEIKI TURRET

Product code:
NGT2-60/101-32/2(MS)



Max. speed: 6000 rpm

Max. torque: 70 Nm

Collet: ER32

Ratio: 1:1

Cooling: external & internal

Max. pressure: 20 bar

Accessories

Nut : Hook spanner type E 32

Spindle: Hook wrench DIN 1810A 52-55

