

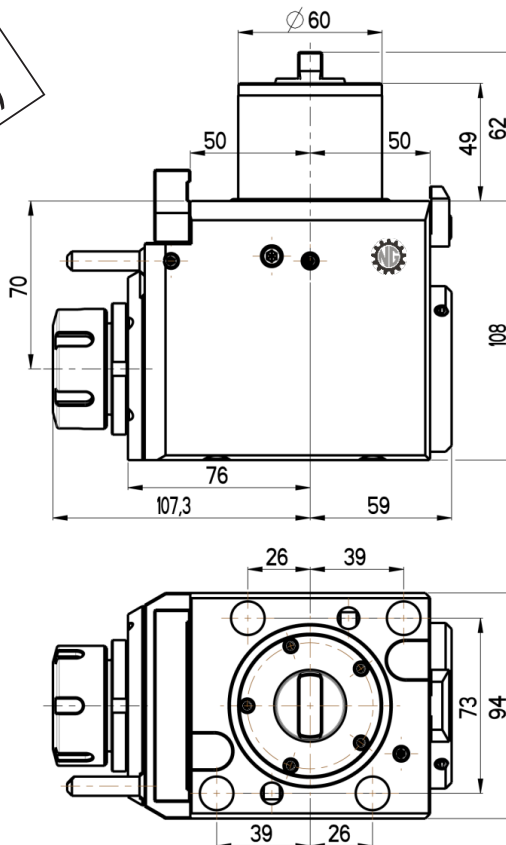
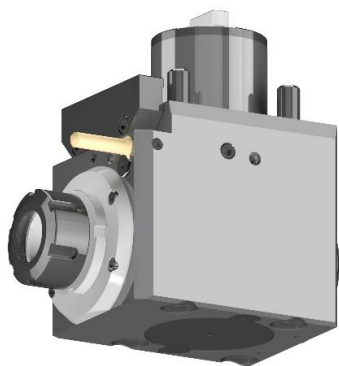


ANGULAR LIVE TOOL HOLDER

OKUMA TURRET

LB 2000/2500/3000 EX M


Product code:
NGT2-60/201-32/2.3-70(JA)



Max. speed: 6000 rpm

Max. torque: 70 Nm

Collet: ER32

Direction of rotation: 

Ratio: 1:1

Cooling: external & internal

Max. pressure: 20 bar

Accessories

Nut : Hook spanner type E 32

Spindle: Hook wrench DIN 1810A 52-55

