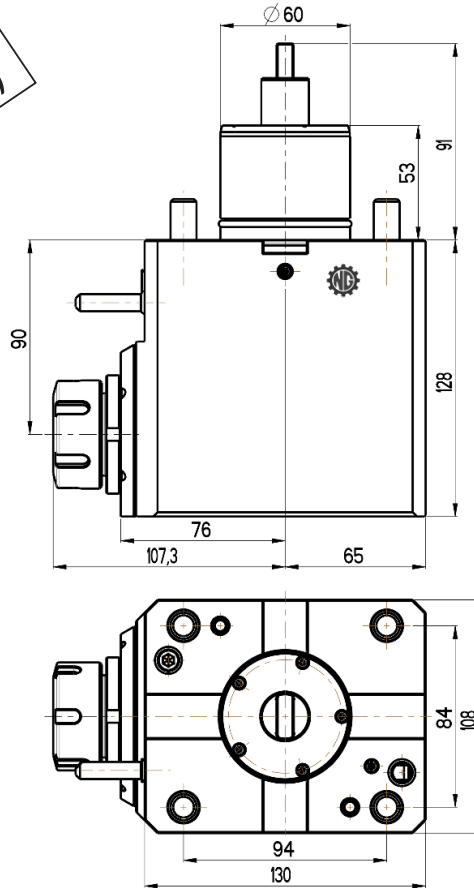
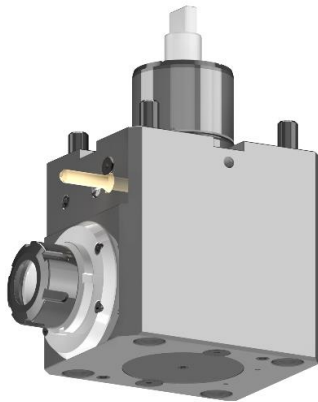


# ANGULAR LIVE TOOL HOLDER

## MORI SEIKI TURRET

Product code:  
**NGT2-60/201-32/2.3-90(MS)**



**Max. speed:** 6000 rpm

**Max. torque:** 70 Nm

**Collet:** ER32

**Ratio:** 1:1

**Cooling:** external & internal

**Max. pressure:** 20 bar

**Accessories**

**Nut :** Hook spanner type E 32

**Spindle:** Hook wrench DIN 1810A 52-55

